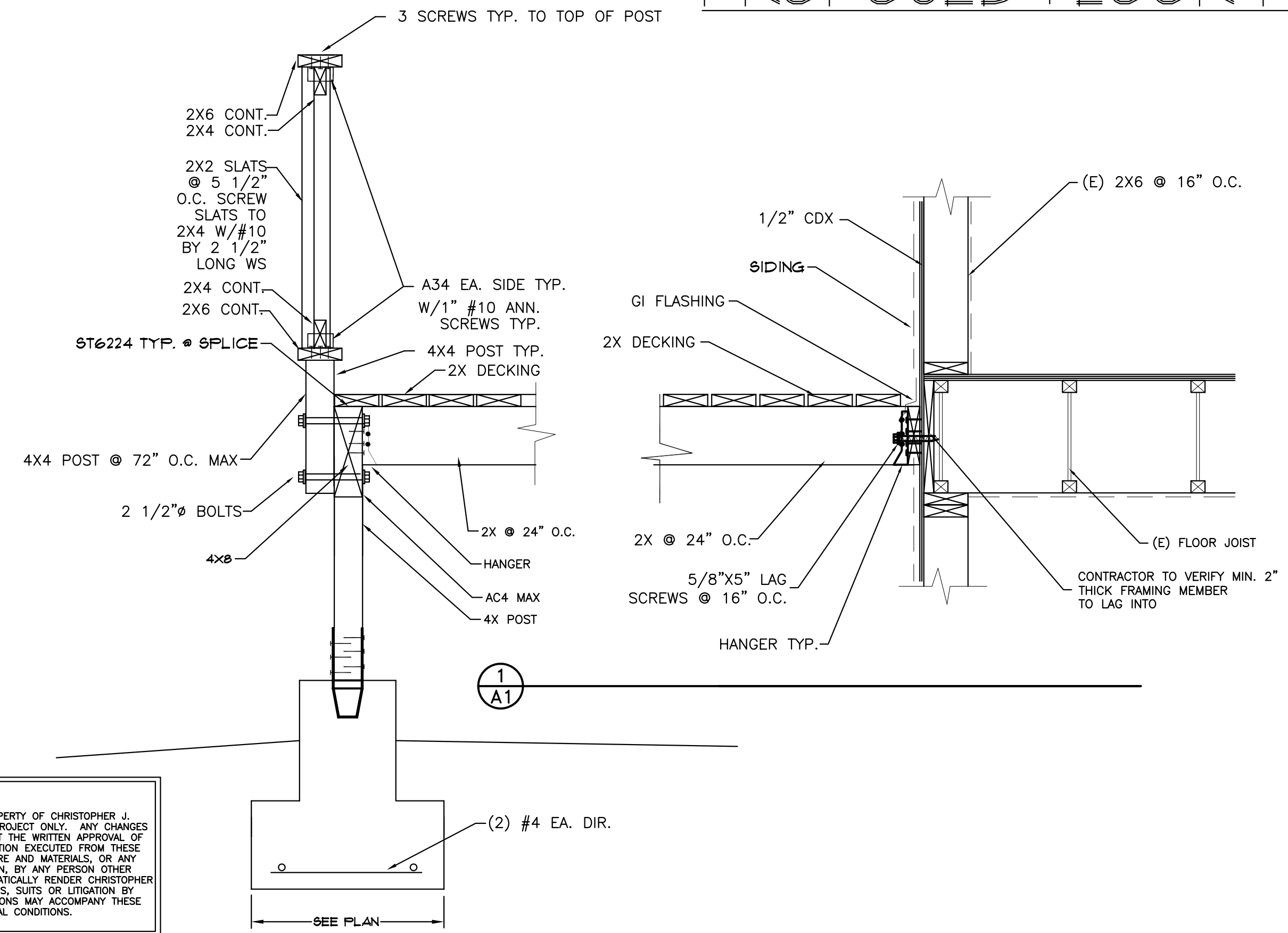


PROPOSED FLOOR PLAN



SHEAR NOTES:

- 1) ALL EXTERIOR WALLS ARE TO BE SHEAR WALL TYPE 1 UNLESS NOTED OTHERWISE.
- 2) ALL SHEAR WALLS ARE CONTINUOUS AND SHALL BE FRAMED, SHEETED AND NAILED PRIOR TO ATTACHING PERPENDICULAR WALLS.
- 3) ALL SHEAR NAILS ARE TO BE GALVANIZE BOX OR COMMON NAILS WITH FULL HEADS. NAILS ARE TO BE DRIVEN FLUSH WITH THE PLYWOOD FACE. OVERDRIVEN NAILS ARE UNACCEPTABLE AND WILL REQUIRE AN ENGINEERING REVIEW AND REMEDIATION.
- 4) THE CONTRACTOR SHALL FULLY FAMILIARIZE HIMSELF WITH THE SHEAR WALL SCHEDULE AND ALL THE NOTES CONTAINED WITHIN.
- 5) ALL METAL HARDWARE IS TO BE SIMPSON OR EQUAL. HARDWARE IS TO BE INSTALLED PER THE MANUFACTURER'S MOST RECENT CATALOG WITH ALL HOLES FILLED WITH DESIGNATED FASTENERS/NAILS.
- 6) CONTRACTOR TO VERIFY S.W. EDGE NAILING ON HOLDOWN POST.
- 7) ALL ANCHOR BOLTS ARE TO BE 5/8"Ø WITH A MINIMUM EMBED OF 7" INTO CONCRETE AND SHALL HAVE 2"x2"x3/16" WASHERS. MAXIMUM SPACING IS 60" O.C. WITH A MINIMUM OF (2) ANCHOR BOLTS PER PLATE. ANCHOR BOLTS AT THE END OF THE PLATE SHALL HAVE A MAXIMUM END DISTANCE OF 12", AND A MINIMUM END DISTANCE OF 5".

CAUTION
SHEAR WALLS WITH NAILIN @ 3" O.C. AND CLOSER REQUIRE 3X P.T. MUD SILLS AND 3X FRAMING AT ADJOINING PANEL EDGES.

SHEAR WALL SCHEDULE (A)(B)(C)(D)(E)

SYM	SHEAR VALUE	PANEL MATERIAL	FASTENERS		J	SPACING		SPACING FOR PLATE		NOTES	
			NAIL	EN/BN		BN	FN	16d	A35		5/8" A.B.
①	260	1/2" CDX PLY	8d	6"	1 1/2" 16 GA.	4"	6"	4"	16"	48"	
②	350	1/2" CDX PLY	8d	4"	1 1/2" 16 GA.	3"	6"	4"	16"	32"	
③	490	1/2" CDX PLY	8d	3"	1 1/2" 16 GA.	2"	6"	3"	16"	24"	(H)
④	640	1/2" CDX PLY	8d	2"	2" 15 GA.	3"	6"	2"	16"	16"	(H)
⑤	730	1/2" STRUCT I	8d	2"	2 3/4" 14 GA.				8"	16"	(G)(H)
⑥	310	1/2" CDX PLY	10d	6"	1 1/2" 16 GA.	4"	6"	4"	16"	48"	
⑦	460	1/2" CDX PLY	10d	4"	1 1/2" 16 GA.	2"	6"	2.5"	12"	32"	(H)
⑧	600	1/2" CDX PLY	10d	3"	2 3/4" 14 GA.				8"	32"	(H)
⑨	770	1/2" CDX PLY	10d	2"	2 3/4" 14 GA.				6"	24"	(H)
⑩	812	1/2" STRUCT I	10d	2"	2 3/4" 14 GA.				6"	20"	(H)

- NOTES**
- (A) ALL ANCHOR BOLTS AND HOLDOWN BOLTS ARE TO BE IN PLACE PRIOR TO PLACING CONCRETE
 - (B) DOUBLE SIDED SHEAR WALLS REQUIRE DOUBLE THE AMOUNT OF ANCHOR BOLTS, OR PLATE NAILING. STAGGER ANCHOR BOLTS OR NAILING IN DOUBLE SIDED SHEAR WALLS.
 - (C) PLYWOOD NAILS ARE COMMON OR GALVANIZED BOX, WITH FULL HEADS, WHETHER PNEUMATIC OR HAND DRIVEN. ALL FIELD NAILING SHALL BE 12" O/C MAXIMUM U.N.O.
 - (D) ANCHOR BOLTS ARE TO BE SPACED A MAXIMUM OF 60" APART ON ALL WALLS WITH ONE ANCHOR BOLT A MAXIMUM OF 12" FROM THE END OF EACH SILL PLATE AND NO CLOSER THAN 5" FROM THE END OF EACH SILL PLATE. ALL ANCHOR BOLTS ARE TO HAVE A 2"x2"x3/16" STEEL PLATE WASHER
 - (E) SPACINGS CALLED OUT ON STRUCTURAL PLANS TAKE PRECEDENCE OVER THOSE ON THIS SCHEDULE. TWO BOLTS MINIMUM PER SILL. WHERE SHEAR WALL SYMBOLS ARE SHOWN
 - (F) ALL EDGE NAILS MUST BE SET IN BOTH INNER AND OUTER LAP OF PANEL EDGES. NAILS MUST BE ON THE FULL THICKNESS OF THE PLYWOOD AND NOT IN THE LAP JOINT.
 - (G) STUDS @ 16" O/C MAXIMUM OR PLYWOOD NAILED WITH FACE GRAIN ACROSS STUDS
 - (H) FOUNDATION SILL PLATES AND ALL FRAMING MEMBERS RECEIVING EDGE NAILING FROM ABUTTING PANELS SHALL NOT BE LESS THAN A 3X NOMINAL MEMBER AND FOUNDATION SILL PLATES SHALL NOT BE LESS THAN A SINGLE 3X P.T. FRAMING MEMBER. ALL PANEL EDGES SHALL BE BLOCKED W/3X BLOCKING OR 2X BLOCKING LAID VERTICAL.
 - (I) 16d NAILS MAY BE UNCALVANIZED BOX NAILS. 16d & A35 SPACINGS ARE TO TRANSFER SHEAR WHERE PLYWOOD IS NOT CONTINUOUS.
 - (J) STAPLED SHEAR WALL VALUES TAKEN FROM APA RESEARCH REPORT #154 AND NER-272.

© CHRISTOPHER J. LUNA - ENGINEER
THESE DOCUMENTS AND THEIR CONTENTS ARE THE PROPERTY OF CHRISTOPHER J. LUNA - ENGINEER, AND ARE TO BE USED FOR THIS PROJECT ONLY. ANY CHANGES TO THESE PLANS, REGARDLESS OF HOW MINOR, WITHOUT THE WRITTEN APPROVAL OF CHRISTOPHER J. LUNA - ENGINEER, OR ANY CONSTRUCTION EXECUTED FROM THESE PLANS WITHOUT REVIEW AND APPROVAL OF ALL HARDWARE AND MATERIALS, OR ANY CHANGE OF SCOPE, DESIGN OR INTENT FOR ANY REASON, BY ANY PERSON OTHER THAN CHRISTOPHER J. LUNA - ENGINEER SHALL AUTOMATICALLY RENDER CHRISTOPHER J. LUNA - ENGINEER HARMLESS TO ANY LIABILITY CLAIMS, SUITS OR LITIGATION BY ANY INTERESTED PARTIES IN THE PROJECT. SPECIFICATIONS MAY ACCOMPANY THESE PLANS AND SHOULD BE READ CAREFULLY FOR ADDITIONAL CONDITIONS.

REVISIONS	BY
△	CJL

CORNERSTONE
DESIGN • ENGINEERING • CONSTRUCTION
400 B PENINSULA DRIVE, LAKE ALMANOR, CA, (916) 596-4333

A NEW ADDITION FOR
TOMAS & RENE HINOJOSA
920 PENINSULA DR. LAKE ALMANOR, CA

DRAWN
MDS
DESIGNED BY
CJL
DATE

SCALE
1/4" = 1'-0"
JOB NO.
00
SHEET

A1
OF ... SHEETS

I:\Server\Autocad\files\H-CLD\HINOJOSA\HOUSE REMODEL.dwg, 12/20/2007 11:11:47 AM